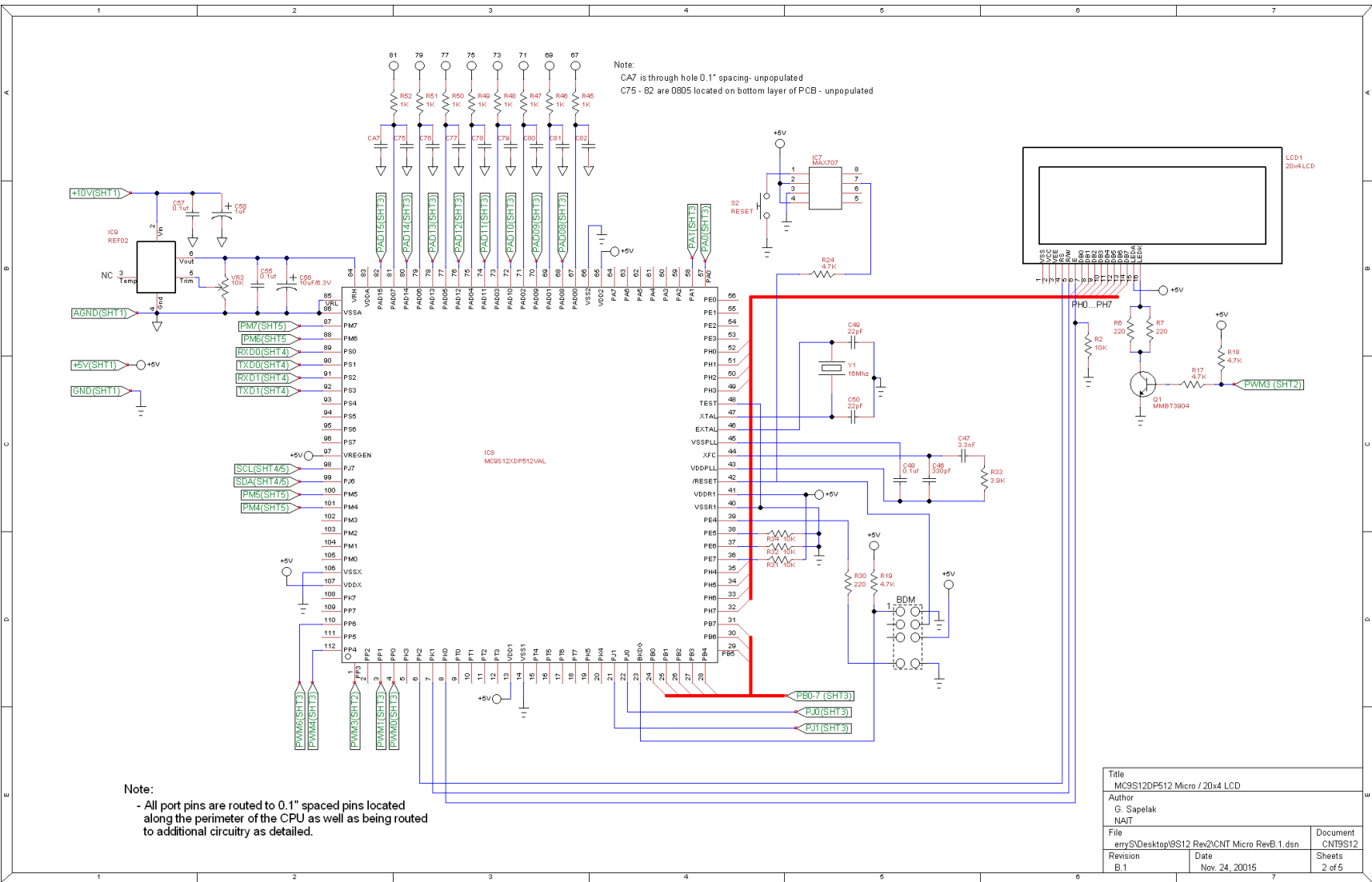
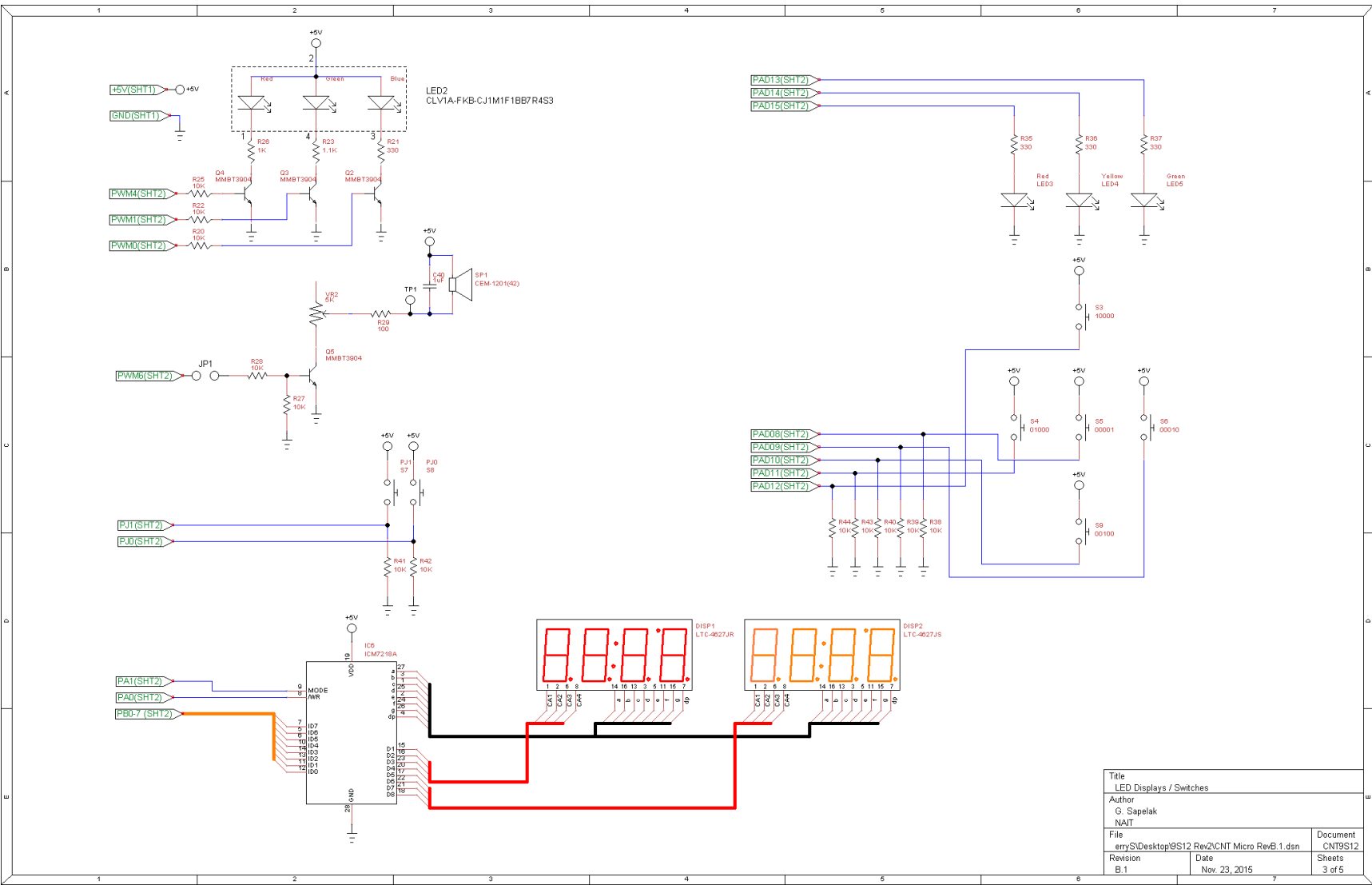
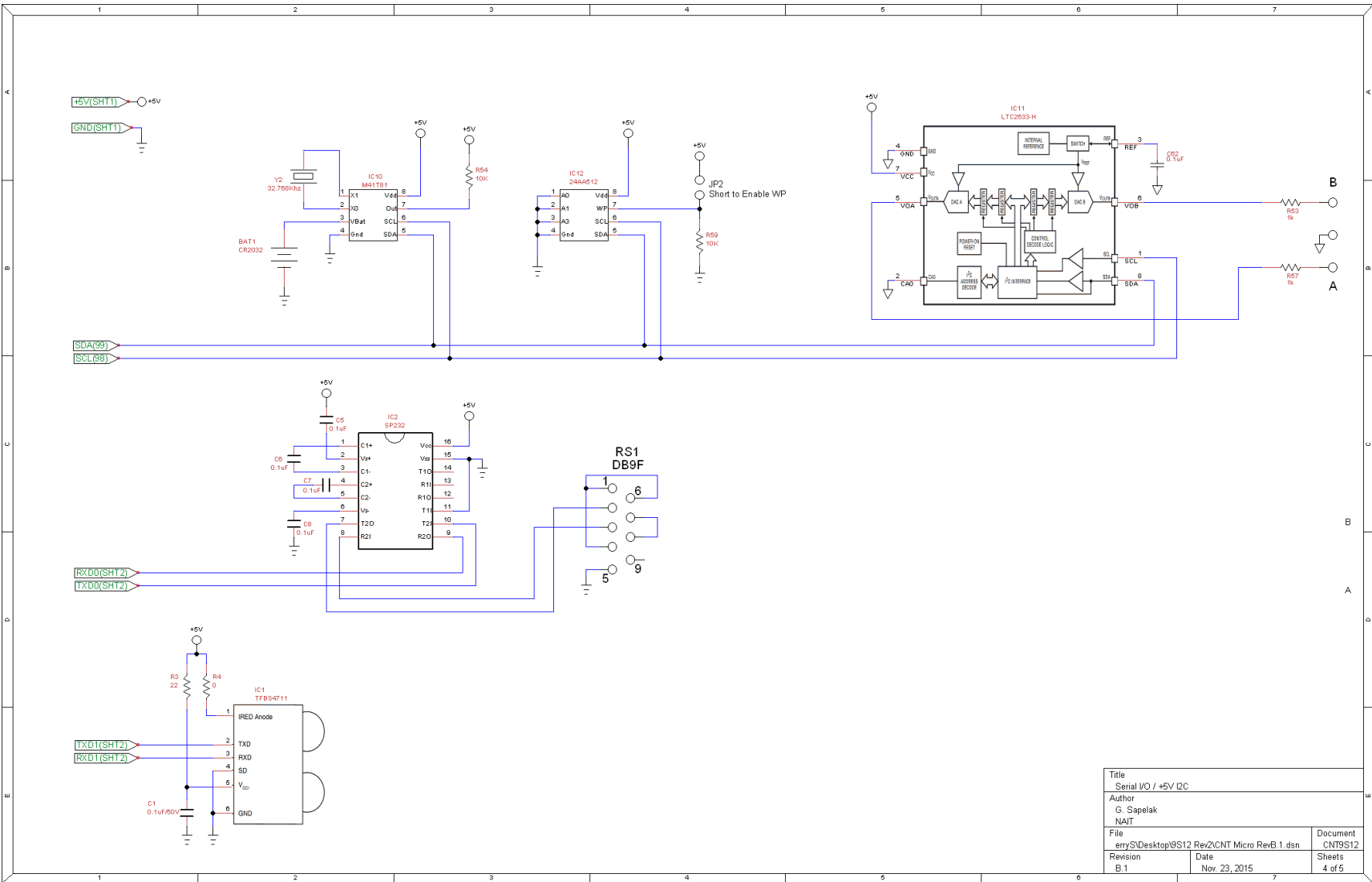


Title		Vin, +5V, +/-10V Power Supplies	
Author		G. Sapelak	
File		NAT	
Revision		Date	Document
B.1	Nov. 23, 2015	CNT9S12	Sheets
		1 of 5	





Title LED Displays / Switches	
Author G. Sapelak	
N/AIT	
File erryS\Desktop\9S12 Rev2\CNT Micro RevB.1.dsn	Document CNT9S12
Revision B.1	Date Nov. 23, 2015
	Sheets 3 of 5



Title		Serial I/O / +5V DC	
Author		G. Sapelak	
NAIT		NAIT	
File	eryS\Desktop\9S12 Rev2\CNT Micro RevB.1.dsn	Document	CNT9S12
Revision	B.1	Date	Nov. 23, 2015
		Sheets	4 of 5

